

HP-80 UNIT

Product Details:

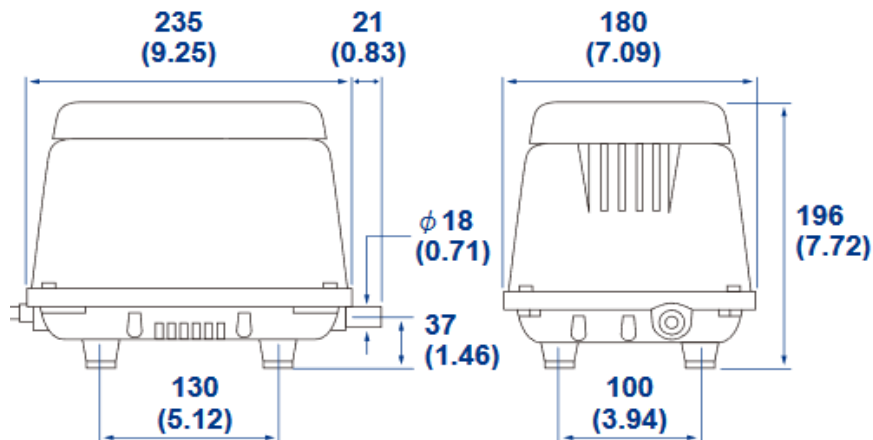
- Available with Integral low-pressure alarms for 120 VAC applications
- Standard UL approved 120 VAC models, and 230 VAC CE compliant models available.
- Pumps equipped with thermal overload protection
- Dual port models available with internal flow switching solenoids and programmable timers for aerator/skimmer applications



Max Flow (lpm)	120
Max Cont. Operating Max Pressure (PSI)	3.6
Power Consumption (watts)	71
Noise Level (dBa @ 1m.)	36
Weight (lb)	15.4

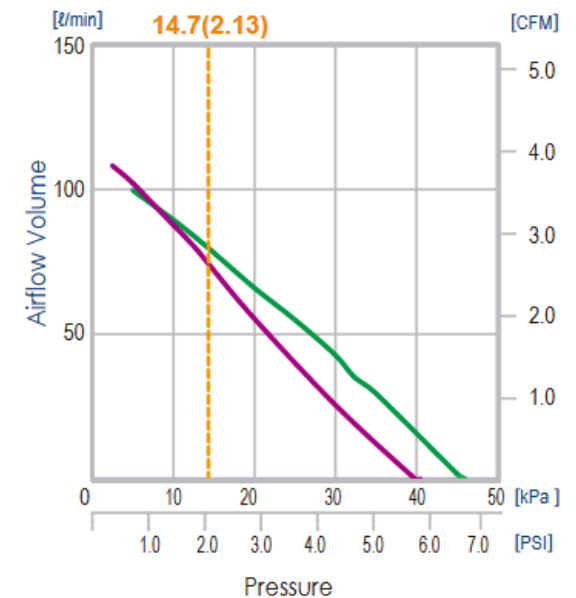
DIMENSIONS

[Unit: mm(inch)]



PERFORMANCE CURVES

HP-80



SPECIFICATIONS FOR HIBLOW HP-80 UNIT

- 4.2 cfm (cubic feet per minute) Maximum Air Flow (@ 0 PSI)
- 80 LPM (Liters Per Minute) @ 2.13 PSI
- 3.6 PSI Maximum Continuous Operating Pressure
- 120 VAC, 60 Hz, 1.6A, 71 Watts
- 36 dBA Measured @ 1 Meter
- Dimensions: 9.3" L x 7.1" H x 7.8" H
- Condition: NEW
- Includes Rubber 90 with Hose Clamps
- Includes 1/8" Alarm Connection Fitting
- Fits many 500 and 600 GPD Aerobic Treatment Systems (Sizing is Determined by Brand of Aerobic System)

