

XP-40 UNIT

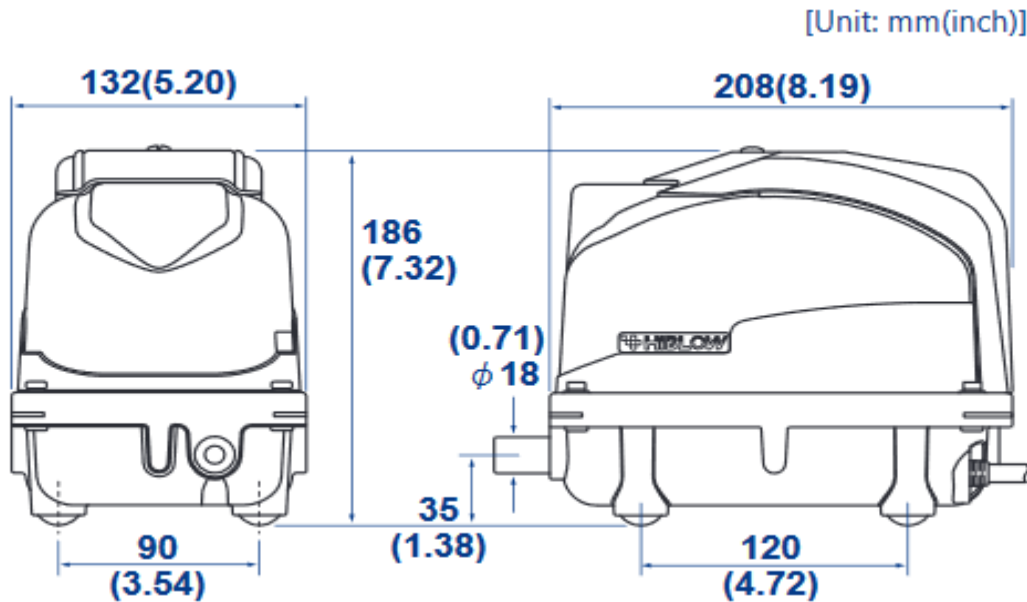
Product Details:

- Available with integral low-pressure alarms for 120 VAC applications
- Standard UL approved 120 VAC models and 230 VAC CE compliant models available
- Pumps equipped with thermal overload protection
- Includes pressure tap location for external Alarm sensor

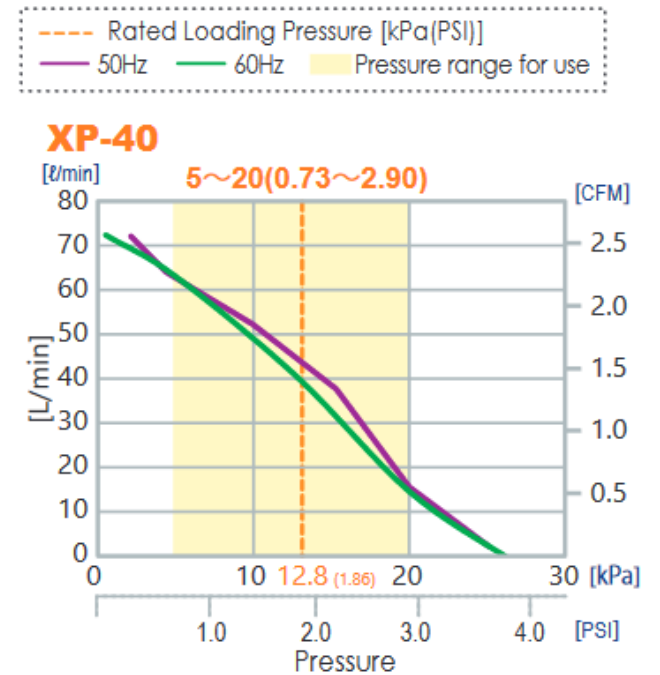


Max Flow (lpm)	40
Max Cont. Operating Max Pressure (PSI)	1.9
Power Consumption (watts)	30
Noise Level (dBa @ 1m.)	33
Weight (lb)	9.0

DIMENSIONS



PERFORMANCE CURVES



SPECIFICATIONS FOR HIBLOW XP-40 UNIT

- 2.4 cfm (cubic feet per minute) Maximum Air Flow (@ 0 PSI)
- 40 LPM (Liters Per Minute) @ 1.86 PSI
- Recommended Operating Pressure Range: 0.73-2.90 PSI
- 120 VAC, 60 Hz, 0.6A, 30 Watts
- 33 dBA Measured @ 1 Meter
- Dimensions: 8.19" L x 5.2" H x 7.32" H
- Condition: NEW
- Includes Rubber 90 with Hose Clamps
- Includes 1/8" Alarm Connection Fitting

